

FLOATING POWER PLANT



JOIN RENEWABLE ENERGY PIONEER FPP TO IMPACT
CLIMATE CHANGE

www.floatingpowerplant.com

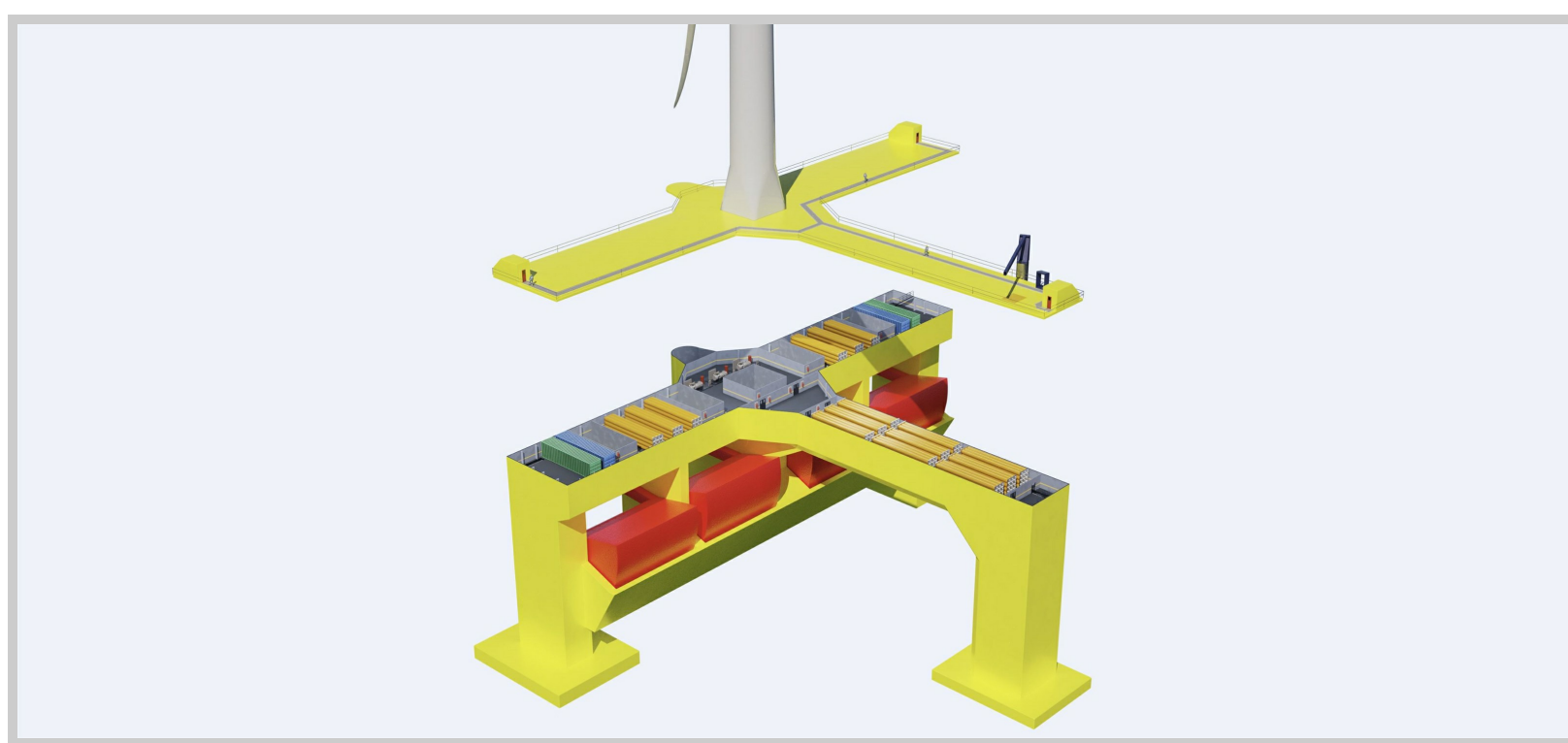


Offshore wind is the future of green energy

At deep waters (50+ meters) it is not economically feasible to make fixed foundation wind energy. Therefore, the wind turbines must be on floating platforms.

Floating Power Plant A/S are adding wave absorbers to the platform which for a marginal investment provides increased power production, -quality, and -consistency.

The platform is capable of housing equipment for various industrial purposes. Below is an example of how the platform could be used to store electrolysers, hydrogen storage and fuel cells capable of storing 300 MWh (50% more capacity than the world's largest grid battery).



FPP-Milestones

- Floating Power Plant A/S founded in 2007
- First offshore hybrid to generate power to the grid
- Technology patented in key European countries
- Raised more than 20 m€
- Ready for commercialization

The FPP platform

The platform can be specifically altered and designed for individual sites, but is in general able to work with:

Windturbine: 4-15 MW

Wave power: 2-3,6 MW

Challenges

The innovation of Floating Power Plant A/S addresses some of the most important global issues today

- Climate change: The world needs sustainable energy
- Sustainable energy is intermittent
 - Sometimes there is not enough wind, sun, etc.
 - Sometimes there is too much, and it is hard to store it
- Renewable energy in deeper water is expensive
- Sectors are hard to decarbonize due to remoteness (e.g. islands, offshore facilities)

Solutions

Our floating wind and wave technology enables the transition to carbon neutrality

- Using renewable energy from wind and wave is clean and climate friendly
- By combining wind and wave, you get a lot more consistency in energy production - lowering the need for fossil fuels
- The price of energy is hastely declining. Renewable energy is already cheaper than from fossil fuels
- Our solution is scalable and easilly deployable
- Can reach new markets with sectors that are traditionally hard to provide renewable energy
- Utilizing the growing potential of Power-to-X, energy can be stored and reused as hydrogen

Technology partners

At FPP we consider ourselves experts at what we do, but we also rely on experience from our partners, who are amongst the best in the business

SIEMENS

DTU
Technical University
of Denmark

FRITZ SCHUR ENERGY

SEMCO
maritime

DNV·GL

TechnipFMC

AALBORG UNIVERSITET

Seasystems
A part of Scana

efront
TECHNOLOGY

Get in touch

Morten Egedal
Head of PR & Communications
+45 28 49 69 01
me@floatingpowerplant.com